



**RF/MICROWAVE**

**Coaxial Connectors**

**TAIWANGAST INC.**

2F, No.27, Jhong-Rong St., Sin-Jhuang City, Taipei County 242, Taiwan

TEL. 886 2 8994 1601, FAX. 886 2 8994 1602

sales@rfconnector.com.tw, www.rfconnector.com.tw

# General Information

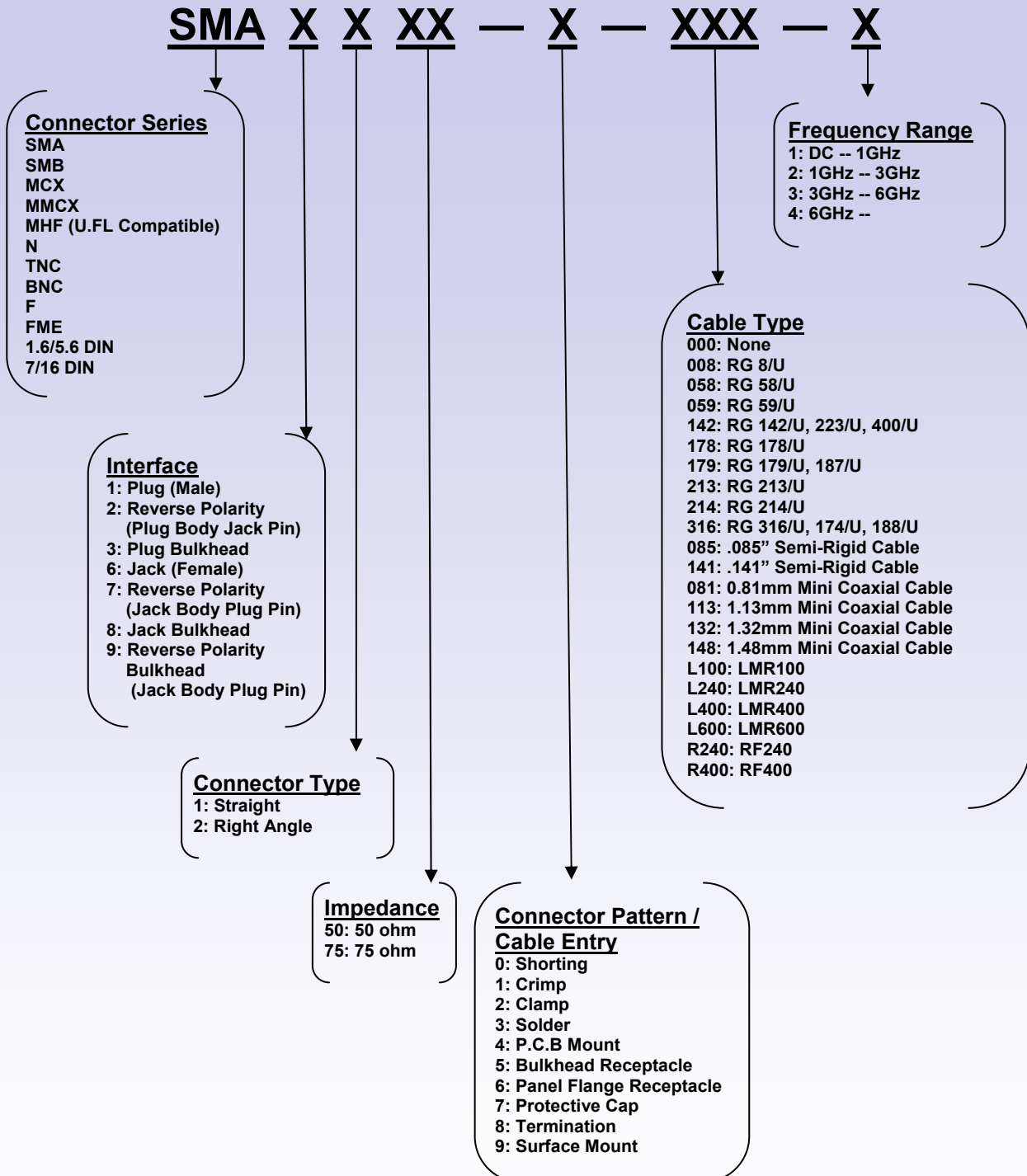
<b>SMA</b>	<b>Subminiature Connectors Screw Lock</b>	<b>50 Ω</b>	<b>18 GHz</b>
<b>SMB</b>	<b>Subminiature Connectors Snap Lock</b>	<b>50 Ω 75 Ω</b>	<b>4 GHz 3 GHz</b>
<b>MCX</b>	<b>Microax Connectors Snap Lock</b>	<b>50 Ω 75 Ω</b>	<b>6 GHz 3 GHz</b>
<b>MMCX</b>	<b>Miniature Microax Connectors Snap Lock</b>	<b>50 Ω</b>	<b>6 GHz</b>
<b>N</b>	<b>Coaxial Connectors Screw Lock</b>	<b>50 Ω 75 Ω</b>	<b>11 GHz 1.5 GHz</b>
<b>TNC</b>	<b>Coaxial Miniature Connectors Screw Lock</b>	<b>50 Ω 75 Ω</b>	<b>11 GHz 1 GHz</b>
<b>BNC</b>	<b>Coaxial Miniature Connectors Bayonet Lock</b>	<b>50 Ω 75 Ω</b>	<b>4 GHz 1 GHz</b>
<b>FME</b>	<b>Coaxial Miniature Connectors Screw Lock</b>	<b>50 Ω</b>	<b>3 GHz</b>
<b>F</b>	<b>Coaxial Connectors Screw Lock</b>	<b>75 Ω</b>	<b>1 GHz</b>
<b>1.6/5.6</b>	<b>Coaxial Connectors Screw Lock</b>	<b>75 Ω</b>	<b>1 GHz</b>
<b>7/16</b>	<b>Coaxial Connectors Screw Lock</b>	<b>50 Ω</b>	<b>7.5 GHz</b>
<b>Adaptors</b>	<b>Between Series</b>		

## **TAIWANCAST INC.**

2F, No.27, Jhong-Rong St., Sin-Jhuang City, Taipei County 242, Taiwan

TEL. 886 2 8994 1601, FAX. 886 2 8994 1602, sales@rfconnector.com.tw, www.rfconnector.com.tw

# RF Connector Number Legend

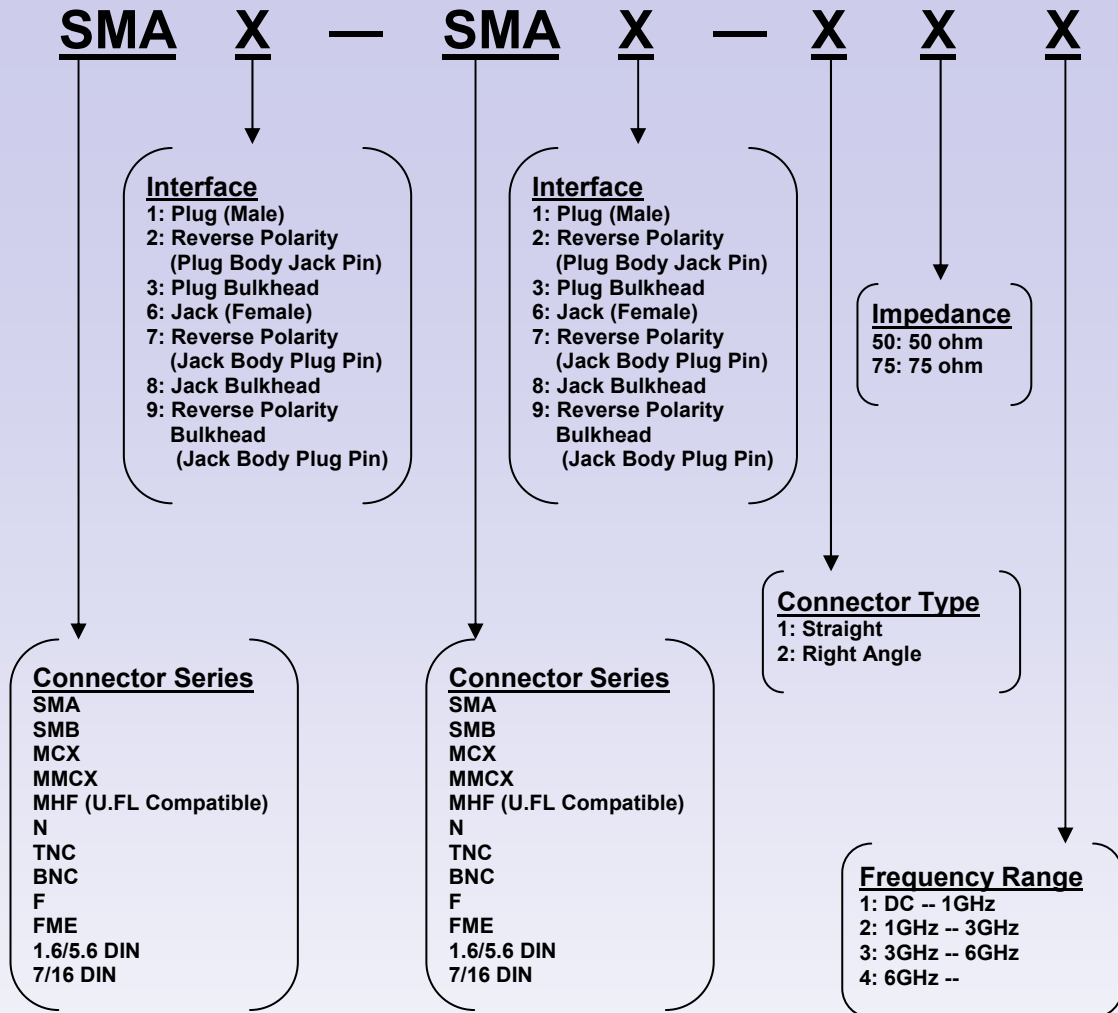


## TAIWANCAST INC.

2F, No.27, Jhong-Rong St., Sin-Jhuang City, Taipei County 242, Taiwan

TEL. 886 2 8994 1601, FAX. 886 2 8994 1602, sales@rfconnector.com.tw, www.rfconnector.com.tw

# RF Adapter Number Legend

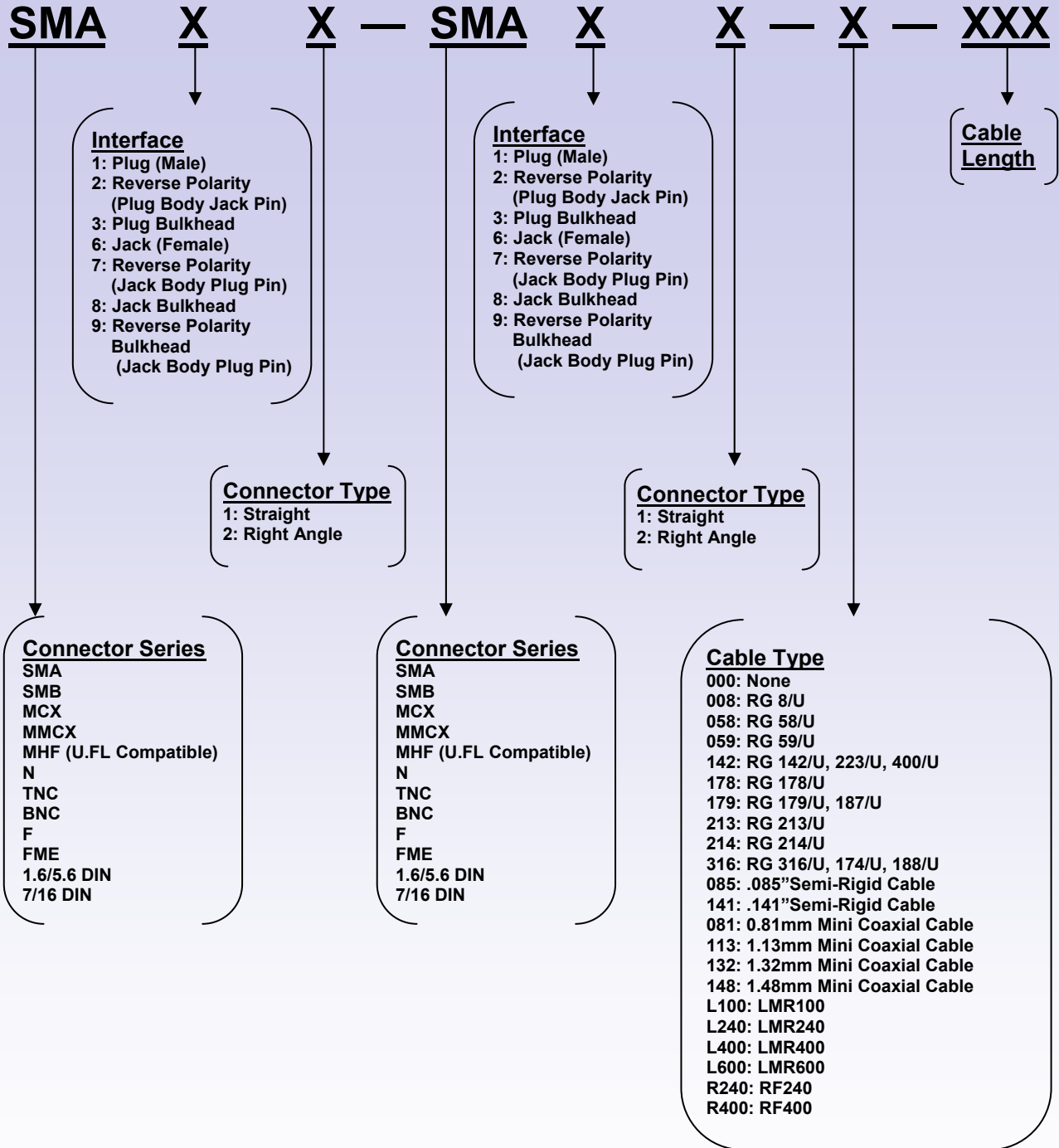


## TAIWANCAST INC.

2F, No.27, Jhong-Rong St., Sin-Jhuang City, Taipei County 242, Taiwan

TEL. 886 2 8994 1601, FAX. 886 2 8994 1602, sales@rfconnector.com.tw, www.rfconnector.com.tw

# RF Cable Assembly Number Legend



## TAIWANCAST INC.

2F, No.27, Jhong-Rong St., Sin-Jhuang City, Taipei County 242, Taiwan

TEL. 886 2 8994 1601, FAX. 886 2 8994 1602, sales@rfconnector.com.tw, www.rfconnector.com.tw

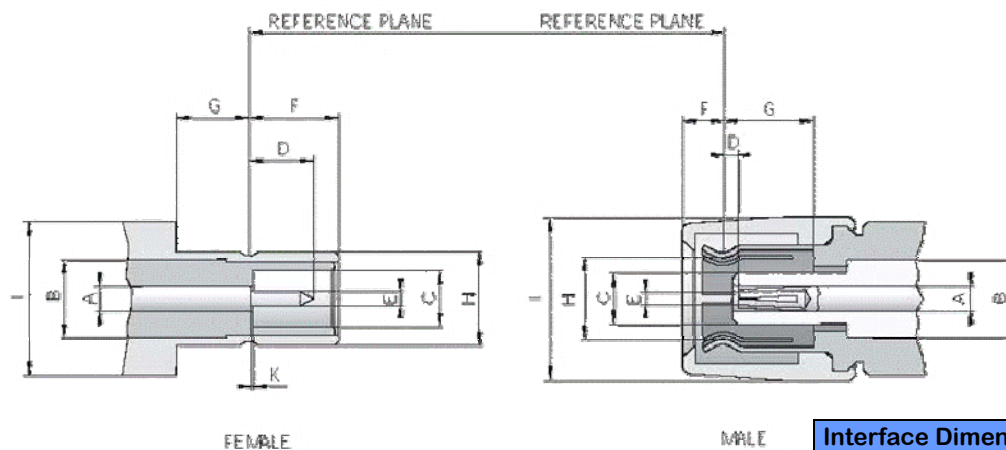
# SMB SERIES

The SMB Series is a sub-miniature providing a fast and reliable connection for microwave applications up to 4 GHz with high packing density. They use a snap-on mating to reduce installation time. Various plating options in nickel, gold, and tin lead. Selective plating provides corrosion resistance finish and good solder ability characteristics.

## Applications:

- ◆ Base Stations
- ◆ Instrumentation
- ◆ Process Controls
- ◆ Automotive
- ◆ Automotive (GPS)
- ◆ PC/LAN
- ◆ Components
- ◆ Cable Assemblies
- ◆ Radio Boards
- ◆ Surge Protection
- ◆ Telecom
- ◆ Test and Measurement
- ◆ Video Systems

## Interface Mating Dimensions:



Interface Dimension in Millimeters					
	Female		Male		
	Min.	Max.		Min.	Max.
A	0.95	nom	A	0.95	nom
B	3.05	nom	B	3.05	nom
C	2.08		C		2.06
D		2.97	D	0.18	0.94
E	0.48	0.53	E	Resilient dim.	
F	3.33	3.58	F		1.63
G	1.65		G	3.58	
H	3.66	3.71	H	Resilient dim.	
I		6.50	I		6.50
K	0.00	0.18			

## TAIWANCAST INC.

2F, No.27, Jhong-Rong St., Sin-Jhuang City, Taipei County 242, Taiwan

TEL. 886 2 8994 1601, FAX. 886 2 8994 1602, sales@rfconnector.com.tw, www.rfconnector.com.tw

# SMB SERIES

## Technical Characteristics

### Electrical

Impedance	<b>50 ohm/ 75 ohm</b>	
Frequency Range	0 – 4 GHz with low reflection	
Working Voltage	RG-58, 141,142, 223: 500 VRMS max. RG-174, 188, 316: 335 VRMS max. RG-178, 196: 250 VRMS max.	
Dielectric Withstanding Voltage	RG-58, 141,142, 223: 1000 VRMS RG-174, 188, 316: 1000 VRMS RG-178, 196: 750 VRMS	
VSWR	Straight	1.3 max.
	Right Angle	1.4 max.
Contact Resistance	Center Contact	6 Milliohms Max.
	Outer Contact	2 Milliohms Max.
Insulator Resistance	1000 Mega ohms min.	

### Material:

Part Name	Material	Finish
Body, Metal Parts	Brass	Gold or Nickel
Center Contacts	Plug: P. Bronze or Beryllium Copper	Gold
(Reverse Polarity)	Jack: Brass	Gold
Insulator	PTFE	
Crimp Ferrule	Annealed Copper	Gold or Nickel
Clamp Gaskets	Silicone Rubber	

### Mechanical & Environmental

Mating	Snap-on coupling per MIL-STD-348
Engagement Force	1.8lbs to 14.2lbs
Disengagement Force	1.8lbs to 14.2lbs
Contact Retention	4.0 lbs. min.
Durability (Mating)	500 cycles min. (For Be/Cu Jack Contact only)
Temperature Range	-65°C ~ 165°C
Vibration	MIL-STD-202 Meth. 204/D
Salt Spray	MIL-STD-202 Meth. 101/B
Thermal Shock	MIL-STD-202 Meth. 107/C

## TAIWANCAST INC.

2F, No.27, Jhong-Rong St., Sin-Jhuang City, Taipei County 242, Taiwan

TEL. 886 2 8994 1601, FAX. 886 2 8994 1602, sales@rfconnector.com.tw, www.rfconnector.com.tw

# SMB SERIES

**50 ohm**

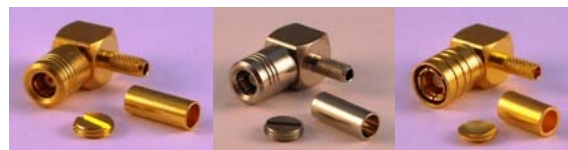
**SMB1150-1-XXX**  
**SMB STR. PLUG CRIMP TYPE**  
**(PLUG BODY JACK PIN)**  
Suitable Cable:  
(1)RG174, RG188, RG316



**SMB1150-4**  
**SMB STR. PLUG P.C.B. MOUNT**  
**(PLUG BODY JACK PIN)**



**SMB1250-1-XXX**  
**SMB R/A PLUG CRIMP TYPE**  
**(PLUG BODY JACK PIN)**  
Suitable Cable:  
(1)RG174, RG188, RG316



**SMB6150-1-XXX**  
**SMB STR. JACK CRIMP TYPE**  
**(JACK BODY PLUG PIN)**  
Suitable Cable:  
(1)RG174, RG188, RG316



**SMB6150-4**  
**SMB STR. JACK P.C.B. MOUNT**  
**(JACK BODY PLUG PIN)**



**SMB6150-5**  
**SMB STR. JACK BULKHEAD RECEPTACLE**  
**(JACK BODY PLUG PIN)**



## **TAIWANCAST INC.**

2F, No.27, Jhong-Rong St., Sin-Jhuang City, Taipei County 242, Taiwan  
TEL. 886 2 8994 1601, FAX. 886 2 8994 1602, sales@rfconnector.com.tw, www.rfconnector.com.tw



# SMB SERIES

**50 ohm**

**SMB6150-9**  
**SMB STR. JACK SURFACE MOUNT**  
**(JACK BODY PLUG PIN)**



**SMB6250-1-XXX**  
**SMB R/A JACK CRIMP TYPE**  
**(JACK BODY PLUG PIN)**  
Suitable Cable:  
**(1)RG174, RG188, RG316**



**SMB6250-4**  
**SMB R/A JACK P.C.B. MOUNT**  
**(JACK BODY PLUG PIN)**



**SMB8150-1-XXX**  
**SMB STR. JACK BULKHEAD CRIMP TYPE**  
**(JACK BODY PLUG PIN)**  
Suitable Cable:  
**(1)RG174, RG188, RG316**



## **TAIWANCAST INC.**

2F, No.27, Jhong-Rong St., Sin-Jhuang City, Taipei County 242, Taiwan

TEL. 886 2 8994 1601, FAX. 886 2 8994 1602, sales@rfconnector.com.tw, www.rfconnector.com.tw

# SMB SERIES

**75 ohm**

**SMB1175-4N**

**75 ohm mini SMB STR. PLUG P.C.B. MOUNT  
(PLUG BODY JACK PIN)**



**SMB1275-1-XXX**

**75 ohm mini SMB R/A PLUG CRIMP TYPE  
(PLUG BODY JACK PIN)**

**Suitable Cable:**

**(1)RG179, RG187**



**SMB6175-1-XXX**

**75 ohm mini SMB STR. JACK CRIMP TYPE  
(PLUG BODY JACK PIN)**

**Suitable Cable:**

**(1)RG179, RG187**



**SMB8275-4**

**75 ohm mini SMB R/A JACK BULKHEAD  
(JACK BODY PLUG PIN)  
P.C.B. MOUNT**



**TAIWANCAST INC.**

2F, No.27, Jhong-Rong St., Sin-Jhuang City, Taipei County 242, Taiwan

TEL. 886 2 8994 1601, FAX. 886 2 8994 1602, sales@rfconnector.com.tw, www.rfconnector.com.tw

# SMZ SERIES

**75 ohm**

**SMZ1175-4-H**  
**75 ohm SMZ STR. PLUG P.C.B. MOUNT**  
**(PLUG BODY JACK PIN)**



**SMZ6175-5**  
**75 ohm SMZ STR. JACK**  
**(JACK BODY PLUG PIN)**  
**BULKHEAD RECEPTACLE**



**SMZ6275-4**  
**75 ohm SMZ R/A JACK P.C.B. MOUNT**  
**(JACK BODY PLUG PIN)**



## **TAIWANGCAST INC.**

2F, No.27, Jhong-Rong St., Sin-Jhuang City, Taipei County 242, Taiwan

TEL. 886 2 8994 1601, FAX. 886 2 8994 1602, sales@rfconnector.com.tw, www.rfconnector.com.tw