



RF/MICROWAVE

Coaxial Connectors

TAIWANGAST INC.

2F, No.27, Jhong-Rong St., Sin-Jhuang City, Taipei County 242, Taiwan

TEL. 886 2 8994 1601, FAX. 886 2 8994 1602

sales@rfconnector.com.tw, www.rfconnector.com.tw

General Information

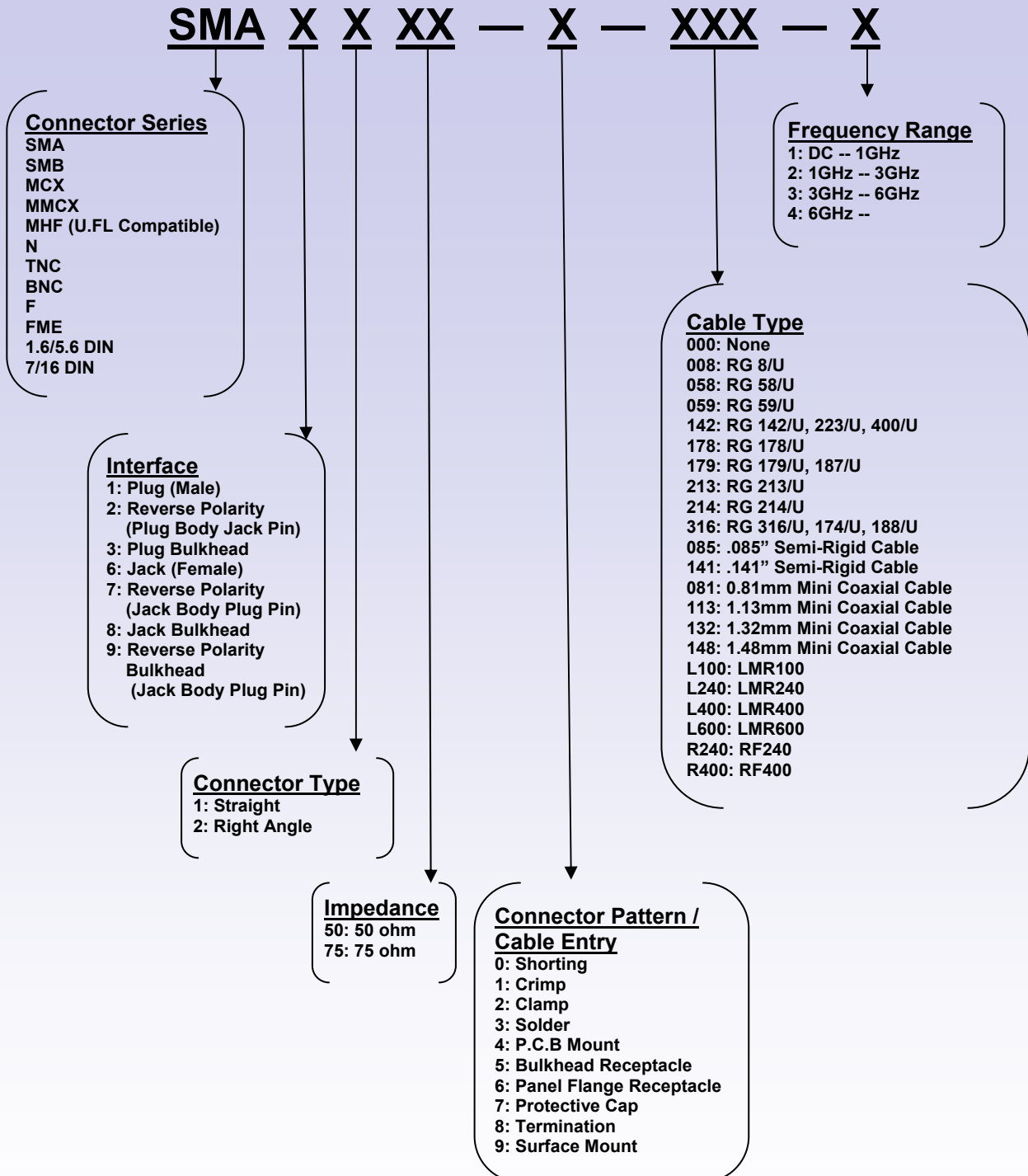
SMA	Subminiature Connectors Screw Lock	50 Ω	18 GHz
SMB	Subminiature Connectors	50 Ω	4 GHz
	Snap Lock	75 Ω	3 GHz
MCX	Microax Connectors	50 Ω	6 GHz
	Snap Lock	75 Ω	3 GHz
MMCX	Miniature Microax Connectors Snap Lock	50 Ω	6 GHz
N	Coaxial Connectors	50 Ω	11 GHz
	Screw Lock	75 Ω	1.5 GHz
TNC	Coaxial Miniature Connectors	50 Ω	11 GHz
	Screw Lock	75 Ω	1 GHz
BNC	Coaxial Miniature Connectors	50 Ω	4 GHz
	Bayonet Lock	75 Ω	1 GHz
FME	Coaxial Miniature Connectors Screw Lock	50 Ω	3 GHz
F	Coaxial Connectors Screw Lock	75 Ω	1 GHz
1.6/5.6	Coaxial Connectors Screw Lock	75 Ω	1 GHz
7/16	Coaxial Connectors Screw Lock	50 Ω	7.5 GHz
Adaptors	Between Series		

TAIWANCAST INC.

2F, No.27, Jhong-Rong St., Sin-Jhuang City, Taipei County 242, Taiwan

TEL. 886 2 8994 1601, FAX. 886 2 8994 1602, sales@rfconnector.com.tw, www.rfconnector.com.tw

RF Connector Number Legend

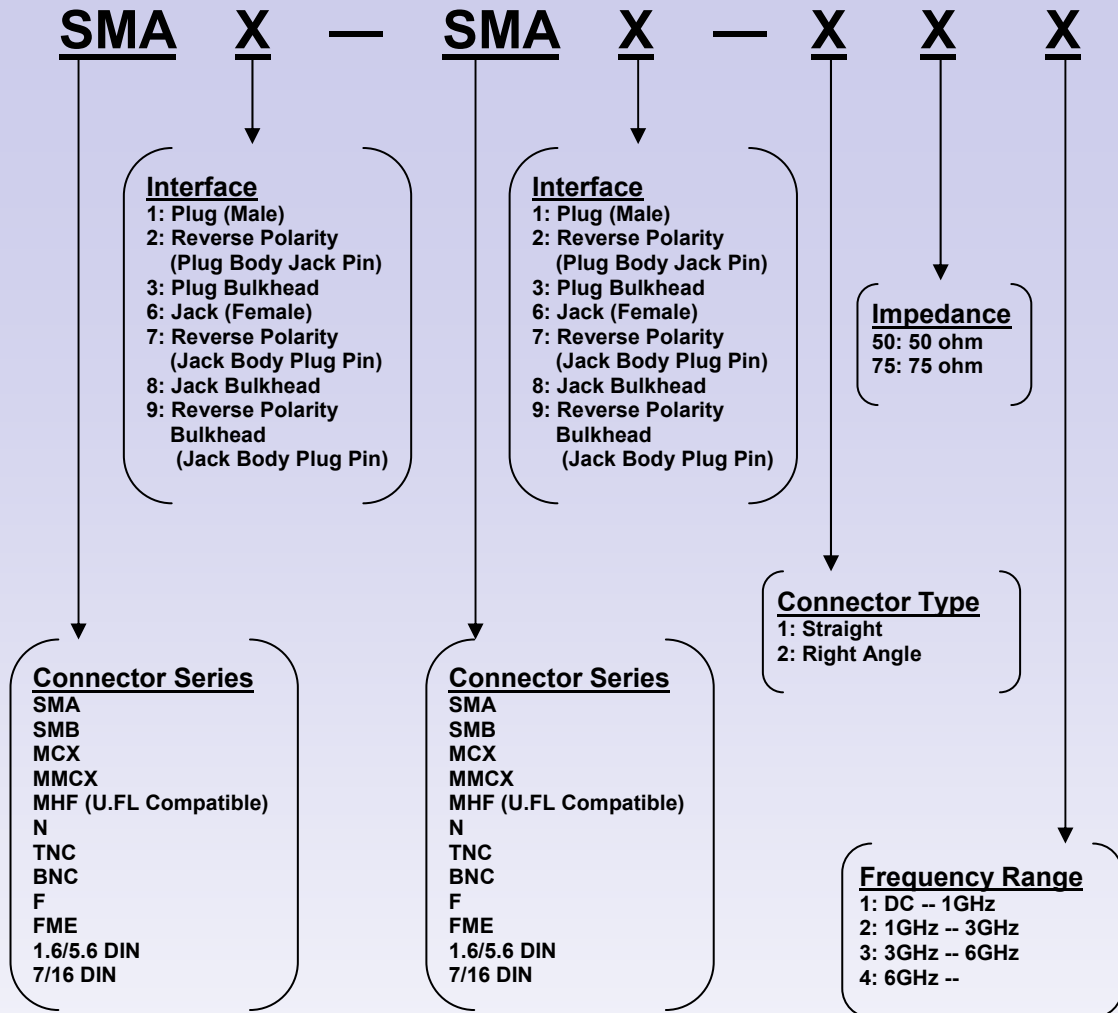


TAIWANCAST INC.

2F, No.27, Jhong-Rong St., Sin-Jhuang City, Taipei County 242, Taiwan

TEL. 886 2 8994 1601, FAX. 886 2 8994 1602, sales@rfconnector.com.tw, www.rfconnector.com.tw

RF Adapter Number Legend

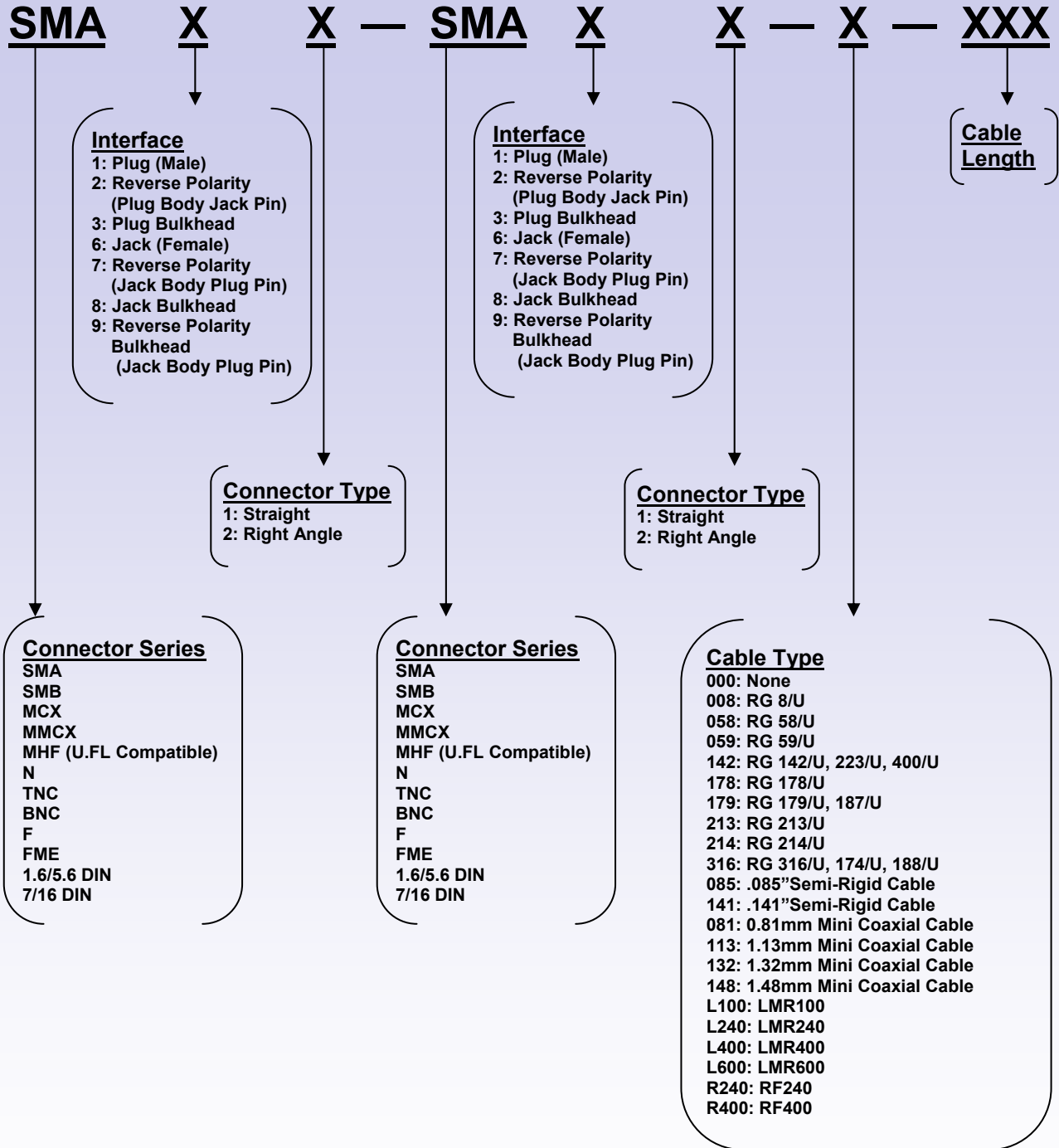


TAIWANCAST INC.

2F, No.27, Jhong-Rong St., Sin-Jhuang City, Taipei County 242, Taiwan

TEL. 886 2 8994 1601, FAX. 886 2 8994 1602, sales@rfconnector.com.tw, www.rfconnector.com.tw

RF Cable Assembly Number Legend



TAIWANCAST INC.

2F, No.27, Jhong-Rong St., Sin-Jhuang City, Taipei County 242, Taiwan

TEL. 886 2 8994 1601, FAX. 886 2 8994 1602, sales@rfconnector.com.tw, www.rfconnector.com.tw

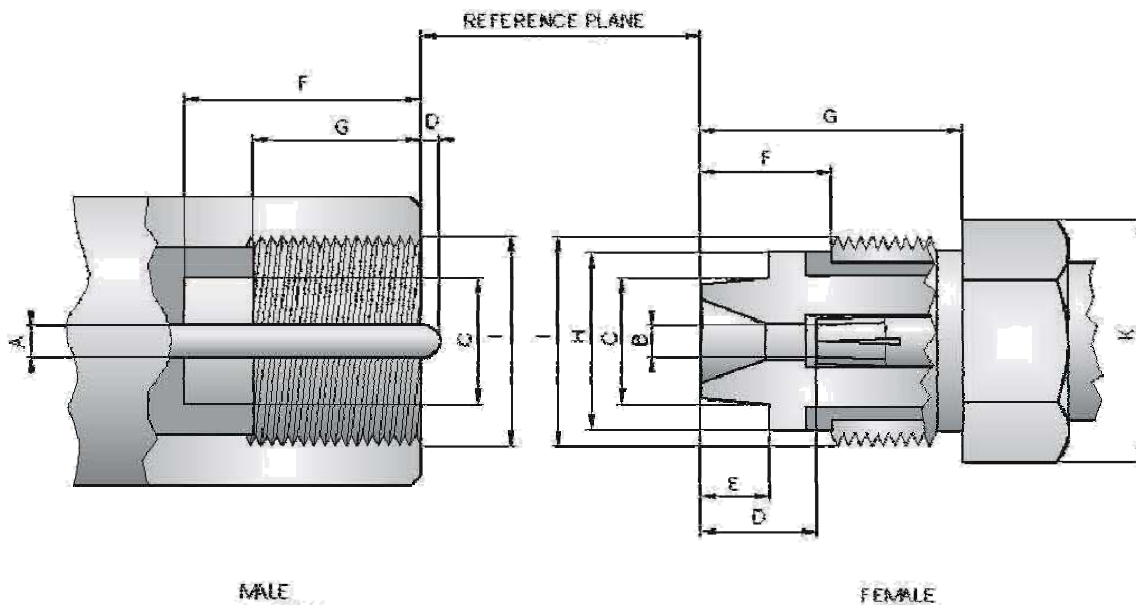
FME SERIES

The FME Series is originally designed for European wireless market and used for mobile antenna applications. It is a miniature screw coupling coaxial that has a 50 ohm impedance. They offer excellent electrical performance from DC to 3.0 GHz.

Applications:

- ◆ GPS
- ◆ WLAN
- ◆ Mobile
- ◆ Wireless
- ◆ Telecommunications

Interface Mating Dimensions:



MALE

FEMALE

Interface Dimension in Millimeters					
	Male		Female		
	Min.	Max.		Min.	Max.
A	1.25 nom		A		
B			B	1.35 Resilient	
C	4.70		C		3.80
D	0.00	1.00	D	4.00	5.00
E			E		2.60
F	9.00		F	4.90	
G	6.40		G	7.60	
H			H		6.80
I	M8x0.75		I	M8x0.75	
			K	SW8	

TAIWANGCAST INC.

2F, No.27, Jhong-Rong St., Sin-Jhuang City, Taipei County 242, Taiwan

TEL. 886 2 8994 1601, FAX. 886 2 8994 1602, sales@rfconnector.com.tw, www.rfconnector.com.tw

FME SERIES

Technical Characteristics

Electrical

Impedance	50 ohm	
Frequency Range	0 – 3 GHz	
Working Voltage	500 VRMS max.	
Dielectric Withstanding Voltage	1000 VRMS	
VSWR	Straight	1.3 max.
	Right Angle	1.5 max.
Contact Resistance	Center Contact	10 Milliohm Max.
	Outer Contact	5 Milliohm Max.
Insulator Resistance	5000 Mega ohms min.	

Material:

Part Name	Material	Finish
Body, Metal Parts	Brass	Nickel or Gold
Center Contacts	Plug: Brass	Gold
	Jack: Brass or Phosphor Bronze	Gold
Insulator	PTFE or Delrin	
Crimp Ferrule	Annealed Copper	Nickel or Gold
Clamp Gaskets	Silicone Rubber	

Mechanical & Environmental

Durability (Mating)	300 cycles min.
Temperature Range	-65°C ~ 155°C

TAIWANCAST INC.

2F, No.27, Jhong-Rong St., Sin-Jhuang City, Taipei County 242, Taiwan

TEL. 886 2 8994 1601, FAX. 886 2 8994 1602, sales@rfconnector.com.tw, www.rfconnector.com.tw

FME SERIES

FME1150-1-XXX
FME STR. PLUG CRIMP TYPE
Suitable Cable:
(1)RG58
(2)RG174, RG188, RG316



FME3150-1-XXX
FME STR. PLUG BULKHEAD CRIMP TYPE
Suitable Cable:
(1)RG58
(2)RG174, RG188, RG316



FME3150-1-XXX
FME STR. PLUG BULKHEAD CRIMP TYPE
Suitable Cable:
(1)RG58
(2)RG174, RG188, RG316



FME6150-1-XXX
FME STR. JACK CRIMP TYPE
Suitable Cable:
(1)RG58
(2)RG174, RG188, RG316



TAIWANCAST INC.

2F, No.27, Jhong-Rong St., Sin-Jhuang City, Taipei County 242, Taiwan
TEL. 886 2 8994 1601, FAX. 886 2 8994 1602, sales@rfconnector.com.tw, www.rfconnector.com.tw